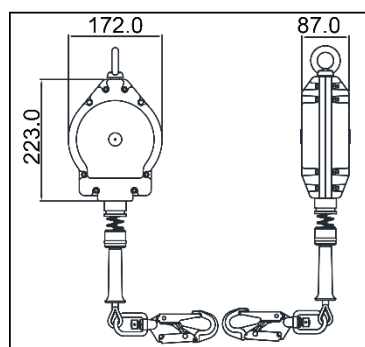


WIRE ROPE RETRACTABLE FALL ARRESTER, LENGTH 6 M





- Casing made up of aluminium alloy.
- Comes with galvanized steel wire rope of diam. 4.5 mm with a snout for a better gripping of the retractable lanyard.
- Swivel at the top and at the bottom of the device.
- Internal braking mechanism to reduce the fall arrest force to less than 6 kN.

Minimum breaking strength > 12 kN.

Connectors : Steel screw-locking karabiner FA 50 101 17, opening 18 mm, at anchorage end, and steel snap-hook FA 50 203 20, opening 20 mm, with load indicator at attachment end.

Average locking speed : 1.4 m/s.

Maxi weight for vertical use : 140 kg.

Compliance: EN 360:2002, ATEX Directive.

Material of components :

Protective casing: Aluminium alloy

Wire rope : Galvanized steel

Connectors : Steel

Length :		Weight :
6 m		4.40 kg

KRATOS SAFETY

689 Chemin du Buclay
38540 Heyrieux – FRANCE

Tel : +33 (0)4 72 48 78 27

Fax : +33 (0)4 72 48 58 32

www.kratossafety.com / info@kratossafety.com

HS CODE

8428 90 90

CARTON SIZE / PIECES

60 x 40 x 24 cm / 4

AET N°4036 I 4 E 1

Satra Technology Centre, N°0321
Wyndham Way, Telford Way, Kettering
Northamptonshire, NN16 8SD, United Kingdom

ARTICLE 11 GB07/73551

SGS United Kingdom Ltd., N°0120
Unit 202B, Worle Parkway,
Weston-super-Mare, BS22 6WA, United Kingdom

ACKNOWLEDGEMENT OF RECEIPT N°3975/1/2018 (ATEX)

Technická Inšpekcia, a.s. N°1354
Trnavská cesta 56, 821 01 Bratislava, Slovenská Republika